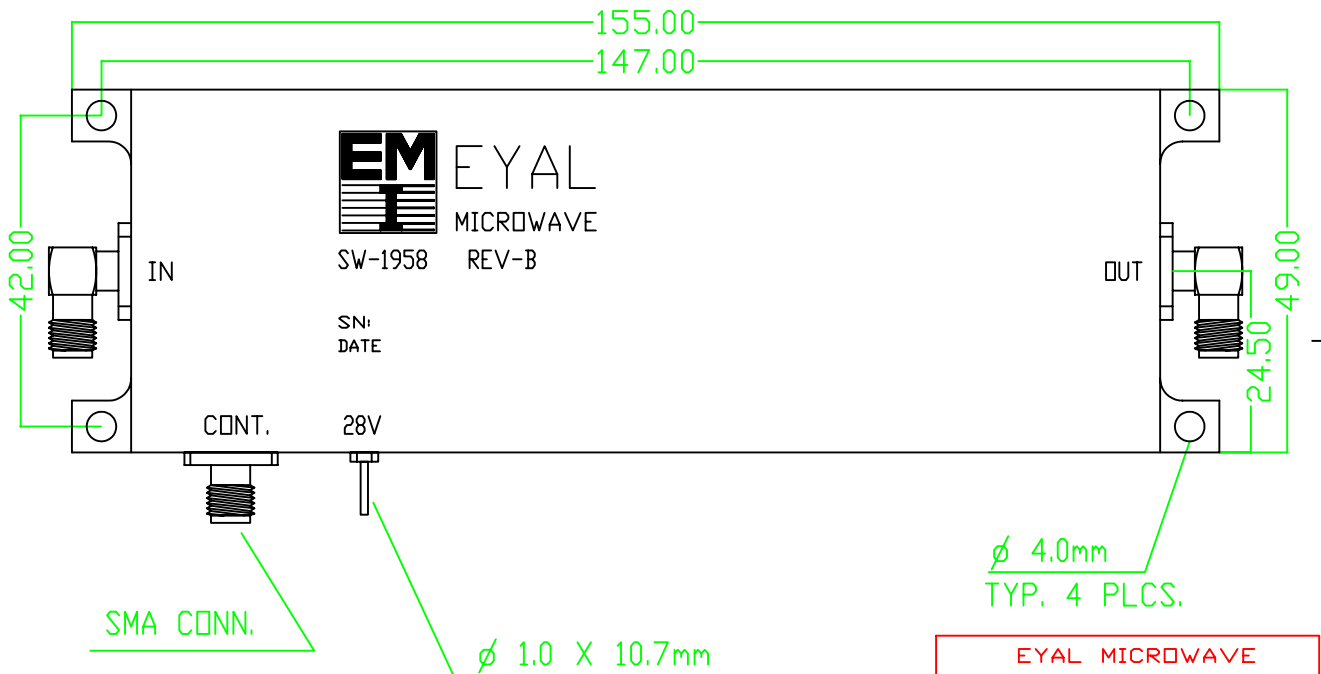
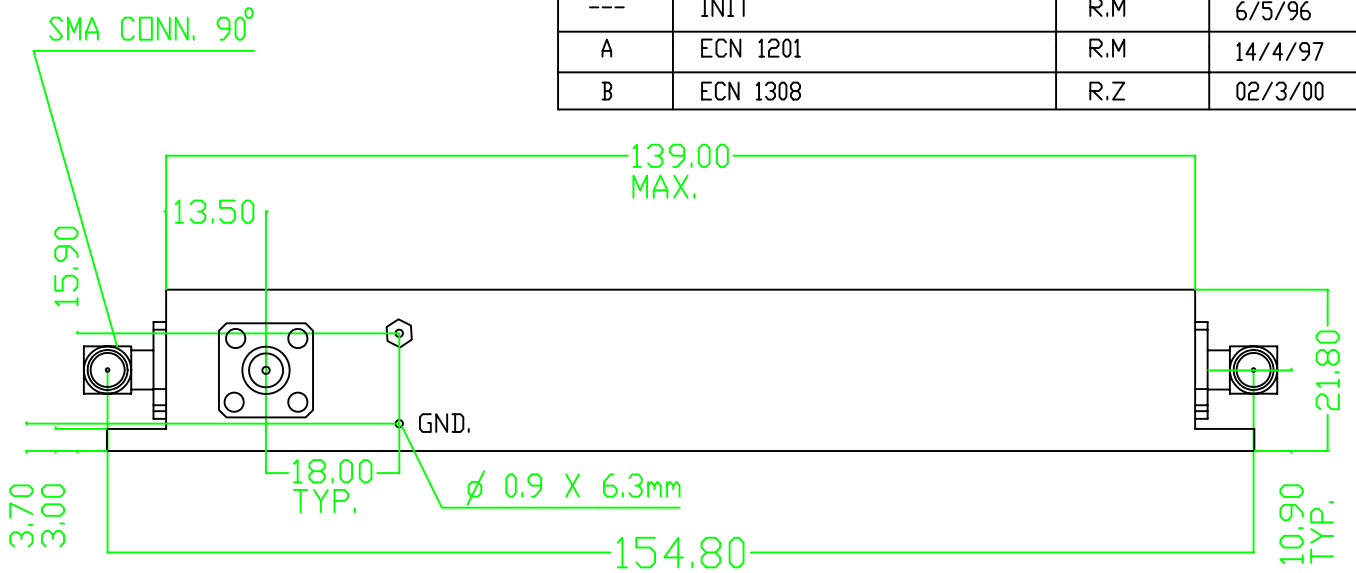


REV	DESCRIPTION	NAME	DATE
---	INIT	R.M	6/5/96
A	ECN 1201	R.M	14/4/97
B	ECN 1308	R.Z	02/3/00



EYAL MICROWAVE
 IND
h'g xpsuv
?????? ???E?
????E?
SK-3652

GENERAL TOLERANCES ± 0.0
 -0.3

NEXT ASSEMBLY		FINISH	SILVER	NAME	DATE
		PLATING PER	QQS-365	DRAWN	R.M 14/4/97
		PAINING PER		ENG APP'D	L.S 14/4/97
		MATERIAL	AL-6061-T6	QA. APP'D	M.C 14/4/97
		SUREFACE FINISH			
		GENERAL TOLERANCES		TITLE OUTLINE FOR AMP.	
DIM	MM/INCH	.X--- \pm .10---/ \pm .010"---			
SCALE		.XX--- \pm .05---/ \pm .005"---			
		.XXX--- \pm .025---/ \pm .002"---		DRAWING NO. 1958-12	
EYAL MICROWAVE INDUSTRY				REV. B	